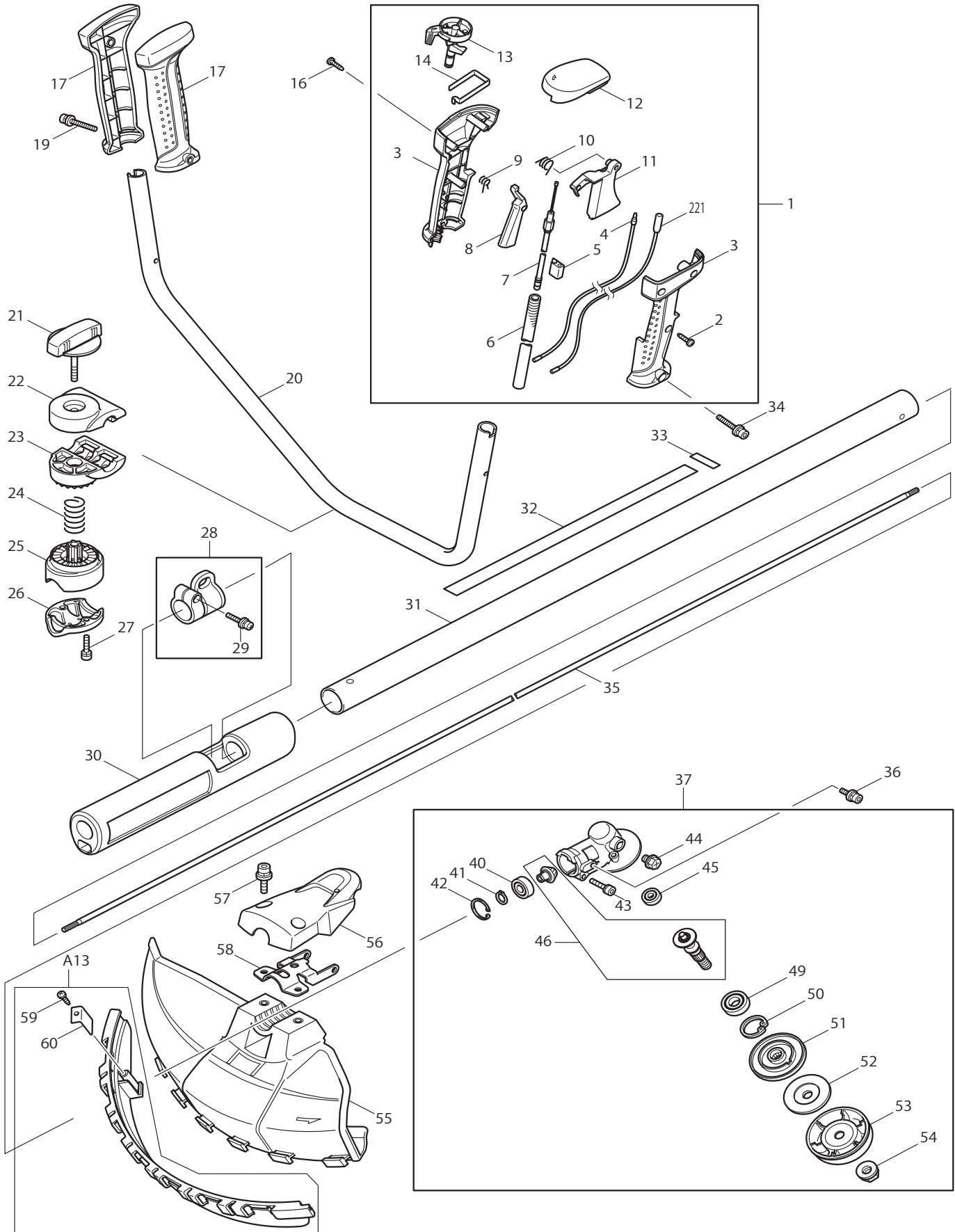


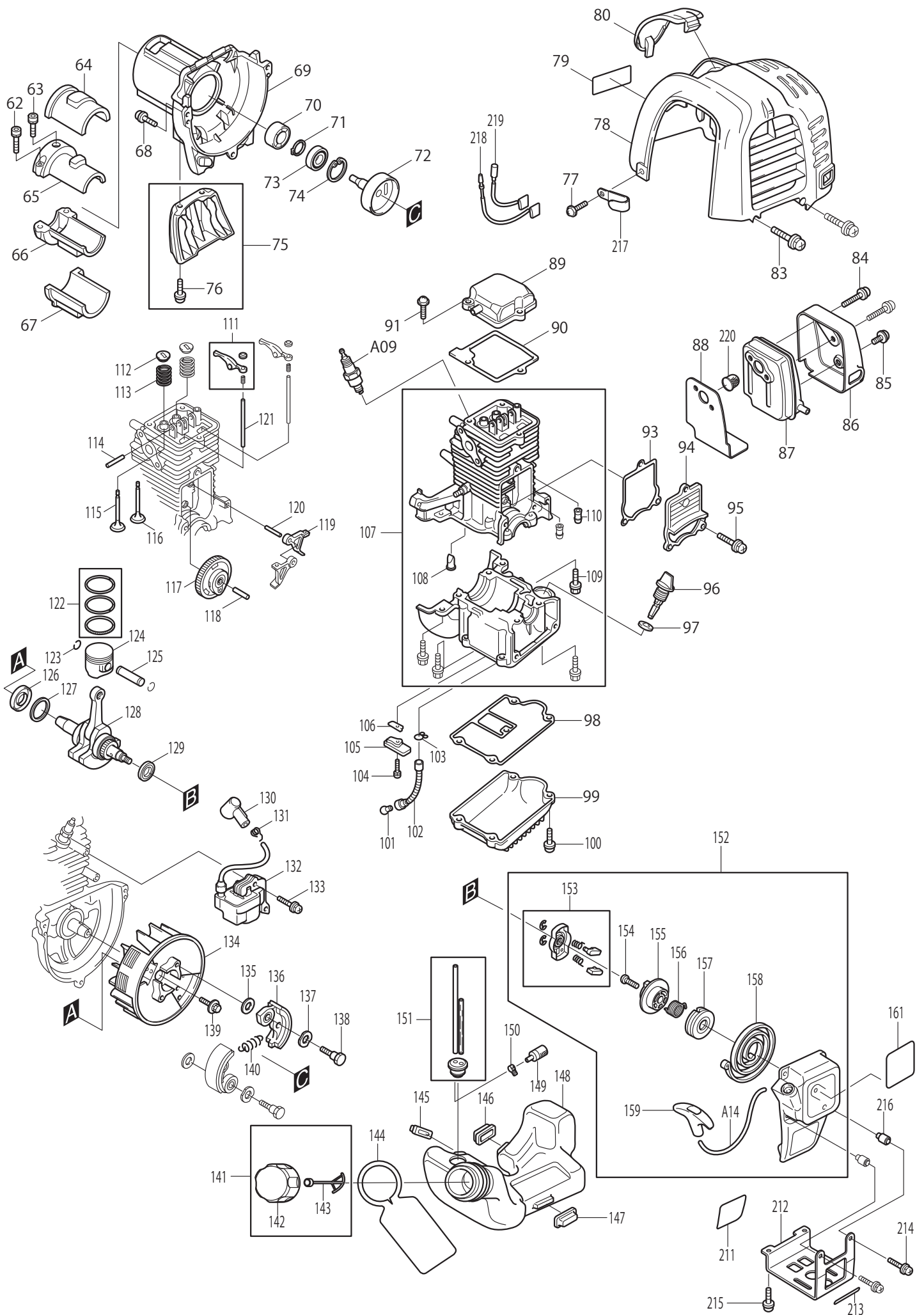


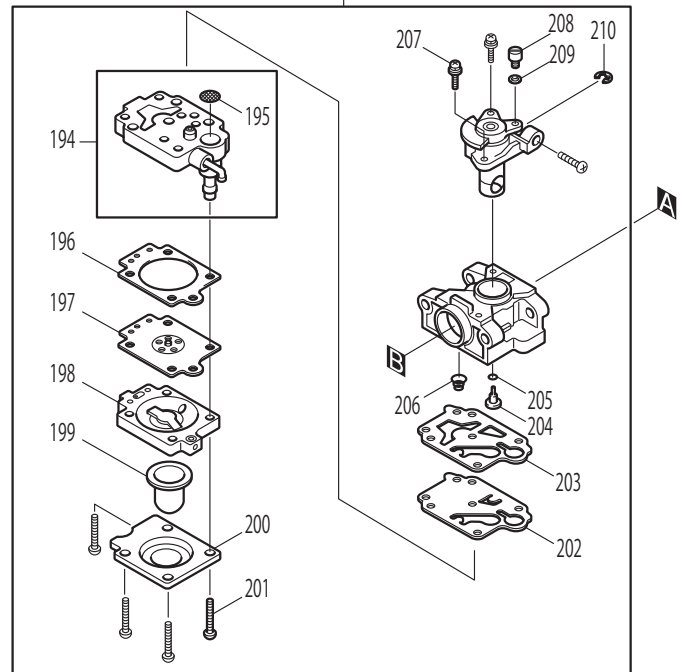
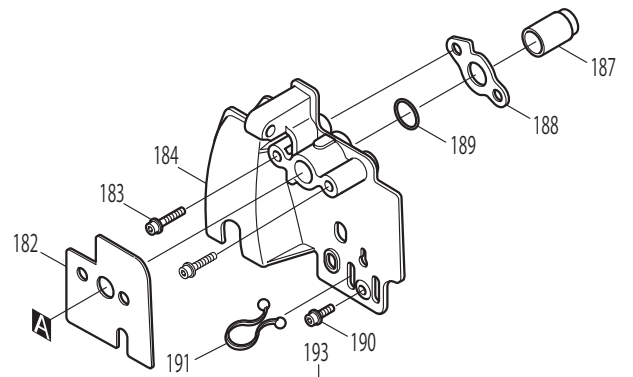
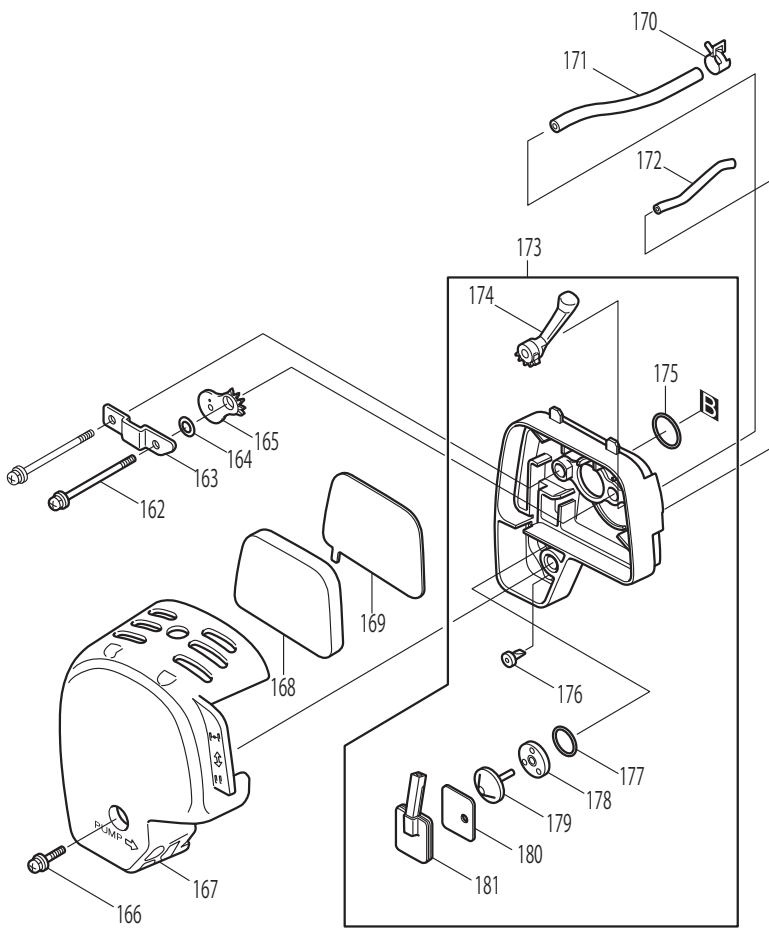
11 - 2012

EBH253U

24.5CC 4-STROKE BRUSH CUTTER







Item No	Type	Ref	Part No	Description	Qty	Unit
001			125544-0	CONTROL LEVER ASSEMBLY	1	PC.
		INC.		ITEM. 2-15,221		
002			266326-2	TAPPING SCREW 4X18	3	PC.
003	1		188656-0	* LEVER CASE SET	1	SET
	2		183A10-9	* LEVER CASE SET	1	SET
004			638663-8	LEAD UNIT	1	PC.
005			451081-1	CABLE HOLDER	1	PC.
006			451213-0	CORRUGATE TUBE	1	PC.
007			168527-7	CONTROL CABLE	1	PC.
008			451083-7	LOCK OFF LEVER	1	PC.
009			233541-3	TORSION SPRING 7	1	PC.
010			233540-5	TORSION SPRING 11	1	PC.
011			451084-5	THROTTLE LEVER	1	PC.
012	1		451085-3	* SWITCH COVER	1	PC.
	2		455722-1	* SWITCH COVER	1	PC.
013			451082-9	SWITCH LEVER	1	PC.
014			232251-9	LEAF SPRING	1	PC.
016			266326-2	TAPPING SCREW 4X18	1	PC.
017			188659-4	GRIP SET	1	SET
019			922256-4	HEX. SOCKET HEAD BOLT M5X35	1	PC.
020			331862-8	HANDLE 19	1	PC.
021	1		168524-3	KNOB 57	1	PC.
	2		168796-0	KNOB 57	1	PC.
022			318429-9	HANDLE CLAMP	1	PC.
023			318428-1	HANDLE HOLDER	1	PC.
024			233202-5	COMPRESSION SPRING 20	1	PC.
025			318427-3	PIPE HOLDER	1	PC.
026			318426-5	PIPE CLAMP	1	PC.
027			922241-7	HEX. SOCKET HEAD BOLT M5X25	2	PC.
		INC.		ITEM. 29		
028			195143-2	HANGER SET	1	SET
029			911233-1	PAN HEAD SCREW M5X20	1	PC.
030			422045-2	CUSHION	1	PC.
031			140041-5	SHAFT PIPE COMPLETE	1	PC.
032			810542-4	CAUTION LABEL	1	PC.
033	4		814E64-6	SERIAL NO. LABEL	1	PC.
034			922256-4	HEX. SOCKET HEAD BOLT M5X35	1	PC.
035	2		327056-1	SHAFT	1	PC.
036	2		922206-9	* H.S.H.BOLT M5X10	2	PC.
037	1		125556-3	* GEAR CASE ASSEMBLY	1	PC.
	1	INC.		* ITEM. 40-46,49-54		
	2		126265-7	* GEAR CASE ASSEMBLY	1	PC.
	2	INC.		* Item No. 12-18,20,23-28		
040			210049-4	BALL BEARING 609ZZ	1	PC.
041			961005-4	RETAINING RING S-9	1	PC.
042			962103-7	RETAINING RING R-24	1	PC.
043			922241-7	HEX. SOCKET HEAD BOLT M5X25	1	PC.
044			265590-2	+HEX.BOLT M8X10 WITH R	1	PC.
045			211019-6	BALL BEARING 626 (N/L/A as individual part)	1	PC.
046	1		188902-1	* CUTTER SHAFT SET	1	PC.
	1	INC.		* Item No. 45		
	2		187547-2	* CUTTER SHAFT SET	1	PC.
	2	INC.		* Item No. 45		
049			210115-7	BALL BEARING 6001LLU	1	PC.

Item No	Type	Ref	Part No	Description	Qty	Unit
050			962106-1	RETAINING RING R-28	1	PC.
051			331861-0	RECEIVE WASHER	1	PC.
052	2		346660-7	* CLAMP WASHER	1	PC.
053			168526-9	CUP	1	PC.
054	2		264088-6	* HEX. LOCK NUT M10-17	1	PC.
055			452260-4	PROTECTIVE GUARD	1	PC.
056			451097-6	* PROTECTOR COVER (Type 1)	1	PC.
057	2		266280-0	* HEX SOCKET HEAD BOLT M6X25	2	PC.
058	2		347012-5	* PROTECTOR CLAMP 24	1	PC.
059			266326-2	TAPPING SCREW 4X18	1	PC.
060	2		347050-7	CUTTER	1	PC.
062			922226-3	HEX. SOCKET HEAD BOLT M5X18	2	PC.
063			922211-6	HEX. SOCKET HEAD BOLT M5X12	1	PC.
064			424191-7	PIPE DAMPER 1	1	PC.
065			318270-0	PIPE BRACKET 1	1	PC.
066			318271-8	PIPE BRACKET 2	1	PC.
067			424107-2	PIPE DAMPER 2	1	PC.
068			922222-1	HEX. SOCKET HEAD BOLT M5X16	3	PC.
069			318329-3	CLUTCH CASE	1	PC.
070			450569-8	SPACER	1	PC.
071			961052-5	RETAINING RING S-12	1	PC.
072	2		168809-7	* CLUTCH DRUM COMPLETE	1	PC.
073			210111-5	BALL BEARING 6201LLU	1	PC.
074			962151-6	RETAINING RING R-32	1	PC.
		INC.		ITEM. 76		
075			195144-0	STAND SET	1	SET
076			911218-7	PAN HEAD SCREW M5X14	2	PC.
077			911213-7	PAN HEAD SCREW M5X12	2	PC.
078			450654-7	CYLINDER COVER	1	PC.
079			819312-8	MAKITA LOGO LABEL	1	PC.
080	2		452144-6	PLUG COVER	1	PC.
081			808633-3	4STROKE INDICATION LABEL (N/L/A as individual part)	1	PC.
083			911128-8	PAN HEAD SCREW M4X16	2	PC.
084			266440-4	HEX SOCKET HEAD BOLT M5X40	2	PC.
085			265184-3	+TRUSS HEAD SCREW M5X5	1	PC.
086			345915-7	MUFFLER COVER	1	PC.
087			168469-5	EXHAUST MUFFLER	1	PC.
088			345916-5	MUFFLER GASKET	1	PC.
089	1		140023-7	ROCKER COVER COMPLETE	1	PC.
	2		140B46-7	ROCKER COVER COMPLETE	1	PC.
090			162275-0	ROCKER COVER GASKET	1	PC.
091			922223-9	H.S.H.BOLT M5X16 WITH WR	3	PC.
093			162274-2	CAM GEAR COVER GASKET	1	PC.
094			318443-5	CAM GEAR COVER	1	PC.
095			922217-4	HEX. SOCKET HEAD BOLT M5X14	3	PC.
096			450565-6	OIL GAUGE	1	PC.
097			424100-6	GASKET	1	PC.
098			162276-8	CASE GASKET	1	PC.
099			318442-7	OIL CASE	1	PC.
100			922217-4	HEX. SOCKET HEAD BOLT M5X14	4	PC.
101			325666-8	OIL WEIGHT	1	PC.
102			424202-8	OIL TUBE	1	PC.
103			282020-8	HOSE CLAMP	1	PC.
104			922112-8	HEX. SOCKET HEAD BOLT M4X10	1	PC.

Item No	Type	Ref	Part No	Description	Qty	Unit
105			318440-1	RETAINER PLATE	1	PC.
106			346083-9	LEAD VALVE	1	PC.
		INC.		ITEM. 108-110		
107			135375-9	CYLINDER BLOCK ASSEMBLY	1	PC.
108			424201-0	CHECK VALVE	2	PC.
109			922217-4	HEX. SOCKET HEAD BOLT M5X14	8	PC.
110			424200-2	SPACER	2	PC.
111			125554-7	ROCKER ARM ASSEMBLY	2	PC.
112			325668-4	SPRING RETAINER	2	PC.
113			234108-0	COMPRESSION SPRING 9	2	PC.
114			256200-2	PIN 5	1	PC.
115	2		326367-1	INTAKE VALVE	1	PC.
116	2		326366-3	EXHAUST VALVE	1	PC.
117			125552-1	CAM GEAR ASSEMBLY	1	PC.
118			268238-5	PIN 5	1	PC.
119			313169-4	CAM LIFTER	2	PC.
120			268239-3	PIN 4	1	PC.
121			256865-0	ROD 2.5	2	PC.
122	2		196595-0	PISTON RING SET	1	SET
123			233976-8	CLIP	2	PC.
124			318441-9	PISTON	1	PC.
125			257781-9	PISTON PIN	1	PC.
126	2		213089-1	OIL SEAL 12	1	PC.
127			267400-9	FLAT WASHER 23	1	PC.
128	2		135539-5	CRANKSHAFT ASSEMBLY	1	PC.
129	2		213769-9	OIL SEAL 10	1	PC.
130			424105-6	PLUG CAP	1	PC.
131			324891-8	PLUG CAP SPRING	1	PC.
132	2		168816-0	* IGNITION COIL	1	PC.
133			922138-0	H.S.H.BOLT M4X20 WITH WR	2	PC.
134	2		319012-5	FLYWHEEL	1	PC.
135			267812-6	WASHER 6	2	PC.
136	2		161332-1	CLUTCH SHOE	2	PC.
137			267817-6	WASHER 8	2	PC.
138	2		266864-4	SHOULDER HEX. BOLT M6X25	2	PC.
139			265577-4	HEX HEAD BOLT M6X16	1	PC.
140	1		231858-8	* TENSION SPRING 6	1	PC.
	2		231881-3	* TENSION SPRING 7	1	PC.
141			125472-9	FUEL TANK CAP ASSEMBLY	1	PC.
		INC.		ITEM. 142,143		
142			140435-4	FUEL TANK CAP	1	PC.
143			140436-2	STRAP COMPLETE	1	PC.
144			810455-9	CAUTION PLATE	1	PC.
145			424102-2	PLATE	1	PC.
146			424103-0	PLATE	1	PC.
147			424104-8	DAMPER	1	PC.
148	1		451251-2	* FUEL TANK	1	PC.
	2		454004-8	* FUEL TANK	1	PC.
	3		123417-1	* FUEL TANK ASSEMBLY	1	PC.
	3	INC.		* Item No. 141, 149-151		
149	2		163447-0	FUEL FILTER	1	PC.
150			345920-4	HOSE CLAMP	1	PC.
151	2		168770-8	TUBE COMPLETE	1	PC.
		INC.		ITEM. 153-160		

Item No	Type	Ref	Part No	Description	Qty	Unit
152			195147-4	RECOIL STARTER SET	1	SET
153			168471-8	PULLEY	1	PC.
154			266585-8	TAPPING SCREW 5X12	1	PC.
155			451940-9	CAM PLATE	1	PC.
156	1		233984-9	DAMPER SPRING	1	PC.
	2		233578-0	DAMPER SPRING	1	PC.
157			451939-4	REEL	1	PC.
158			232258-5	SPIRAL SPRING	1	PC.
159			424319-7	STARTER KNOB	1	PC.
161			809117-4	EBH253U MODEL NO. LABEL	1	PC.
162			265188-5	+PAN HEAD SCREW M5X68	2	PC.
163			345919-9	PLATE	1	PC.
164			423376-2	GASKET	1	PC.
165			450560-6	CHOKE PLATE	1	PC.
166			911218-7	PAN HEAD SCREW M5X14	1	PC.
167			450561-4	AIR CLEANER COVER	1	PC.
168			443141-3	AIR CLEANER ELEMENT	1	PC.
169			443140-5	AIR CLEANER ELEMENT	1	PC.
170			345918-1	HOSE CLAMP	1	PC.
171			422041-0	BREATHER PIPE	1	PC.
172			422042-8	PIPE	1	PC.
173	2		123845-0	CLEANER PLATE ASSEMBLY	1	PC.
	2	INC.	455407-9	AIR CLEANER PLATE	1	PC.
	2	INC.		Item No. 173-181		
174	2		457241-3	CHOKE LEVER	1	PC.
175	2		213094-8	O RING 15	1	PC.
176	1		424938-9	CHECK VALVE	1	PC.
177	2		213093-0	O RING 14	1	PC.
178	2		457240-5	CHECK VALVE PLATE	1	PC.
179	2		424937-1	CHECK VALVE	1	PC.
180	2		161572-1	SEPARATOR GASKET	1	PC.
181	2		161571-3	SEPARATOR PLATE	1	PC.
182			413121-3	CARBURETOR GASKET	1	PC.
183			922228-9	H.S.H.BOLT M5X18 WITH WR	2	PC.
184			450559-1	INSULATOR	1	PC.
187			324961-3	INTAKE PIPE	1	PC.
188			413120-5	INSULATOR GASKET	1	PC.
189			213078-6	O-RING 10	1	PC.
190			922213-2	H.S.H.BOLT M5X12 WITH WR	1	PC.
191			450562-2	CLAMP	1	PC.
193			168497-0	CARBURETOR	1	PC.
		INC.		ITEM. 194,196-210		
194			140437-0	PUMP BODY	1	PC.
		INC.		ITEM. 195		
195	1		352010-6	INLET SCREEN	1	PC.
	2		WJ00014070	INLET SCREEN	1	PC.
196			442154-1	METERING DIAPHRAGM GASKET	1	PC.
197	1		168574-8	METERING DIAPHRAGM	1	PC.
198			140438-8	AIR PURGE BODY	1	PC.
199			424314-7	PRIMER PUMP	1	PC.
200			346270-0	PRIMER PUMP COVER	1	PC.
201			266582-4	TAPPING SCREW 3X24	4	PC.
202	1		168575-6	PUMP DIAPHRAGM	1	PC.
	2		WJ00009599	PUMP DIAPHRAGM	1	PC.

Item No	Type	Ref	Part No	Description	Qty	Unit
203			442155-9	PUMP GASKET	1	PC.
204			325924-2	JET	1	PC.
205			213538-8	O RING 2	1	PC.
206			234183-6	CONICAL COMPRESSION SPRING 5-9	1	PC.
207	1		266581-6	PAN HEAD SCREW M3X8 WITH W	2	PC.
	2		WJ00096364	SCREW M3X8 WITH WASHER	2	PC.
208			325922-6	SWIVEL	1	PC.
209			413140-9	WASHER	1	PC.
210			257964-1	STOP RING E-3	1	PC.
211	2		808720-8	GAS EMISSION APPROVAL LABEL (N/L/A for Repair)	1	PC.
212			345964-4	TANK GUARD	1	PC.
213			814998-3	SERIAL NO. LABEL	1	PC.
214			911148-2	PAN HEAD SCREW M4X25	2	PC.
215			911213-7	PAN HEAD SCREW M5X12	2	PC.
216			331835-1	SPACER	2	PC.
217			345963-6	CLAMP	1	PC.
218	1		638664-6	* LEAD UNIT	1	PC.
	2		632E38-3	* LEAD UNIT	1	PC.
219	1		638665-4	* LEAD UNIT	1	PC.
	2		632E39-1	* LEAD UNIT	1	PC.
220			324980-9	SPARK ARRESTER	1	PC.
221			638671-9	LEAD UNIT	1	PC.
222			413143-3	WASHER	2	PC.
C01			870190-1	CARTON for EBH253U	1	PC.
E01			808143-0	INDICATION LABEL	1	PC.
E02			819432-8	CAUTION TAG (10 LANGUAGES)	1	PC.

ACCESSORIES

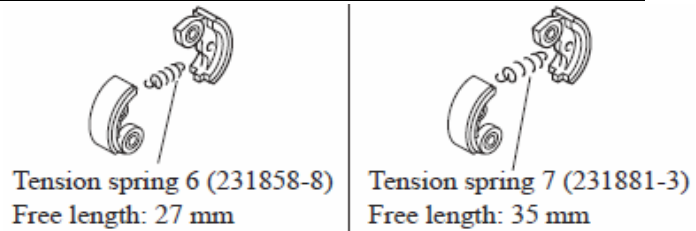
- See Catalogue or visit www.makita.ca for more accessories -

A01	1		122855-4	BAND ASSEMBLY	1	PC.
A01	2		122906-3	BAND ASSY (SHOULDER HARNESS)	1	PC.
	2	INC.	140400-3	HOOK COMPLETE	1	PC.
A03			783013-3	BOX DRIVER 16-17	1	PC.
A04			783217-7	HEX. WRENCH 5	1	PC.
A05			783202-0	HEX. WRENCH 4	1	PC.
A06			831304-7	ACCESSORY BAG	1	PC.
A07	1		450573-7	BLADE GUARD (= 6418500701)	2	PC.
	2		456924-2	CUTTER COVER	1	PC.
A08			B-14118	9" BRUSHCUTTER 4T STAR BLADE 1"	1	PC.
A09			168534-0	SPARK PLUG (CMR4A)	1	PC.
A10	1		195500-4	OIL SET (4 STROKE ENGINE OIL 80CC) - N/A as repair parts	1	PC.
	2		197007-6	OIL SET (4 STROKE ENGINE OIL 80CC) - N/A as repair parts	1	PC.
A11			195298-3	9" BRUSHCUTTER 3T TRIPLE BLADE 1"	1	PC.
A12			197678-9	ENGINE MAINTENANCE KIT F/EH025, EH035	1	PC.
		INC.		Item No. 149, 168, 169, A09		
A13	1		135398-7	* PROTECTOR EXTENSION ASSY	1	PC.
	1	INC.		* ITEM. 59,60		
	2		135753-3	* PROTECTOR EXTENSION ASSY	1	PC.
	2	INC.		* ITEM. 59,60		
A14			444020-8	STARTER ROPE	1	PC.

SERVICE CHANGES

1. Changes on Tension Spring In Clutch Assembly

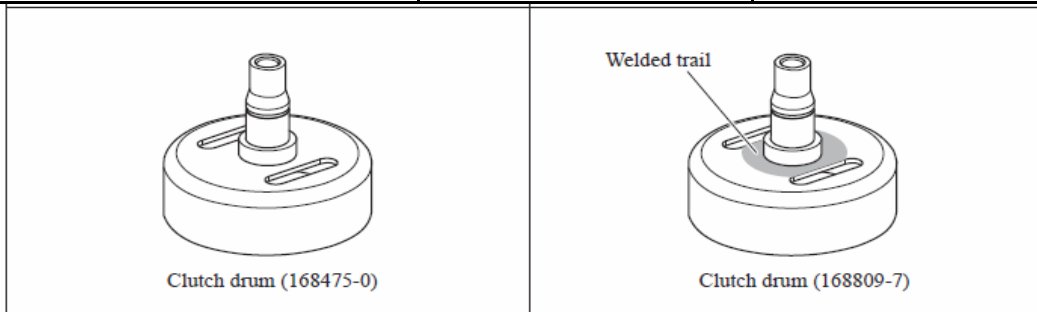
Item No.	Description (Type 1 >Type 2)	Type 1	Type 2
140	Tension Spring 6 >Tension Spring 7	231858-8	231881-3



2. Changes on Clutch drum

(T/I# 99822)

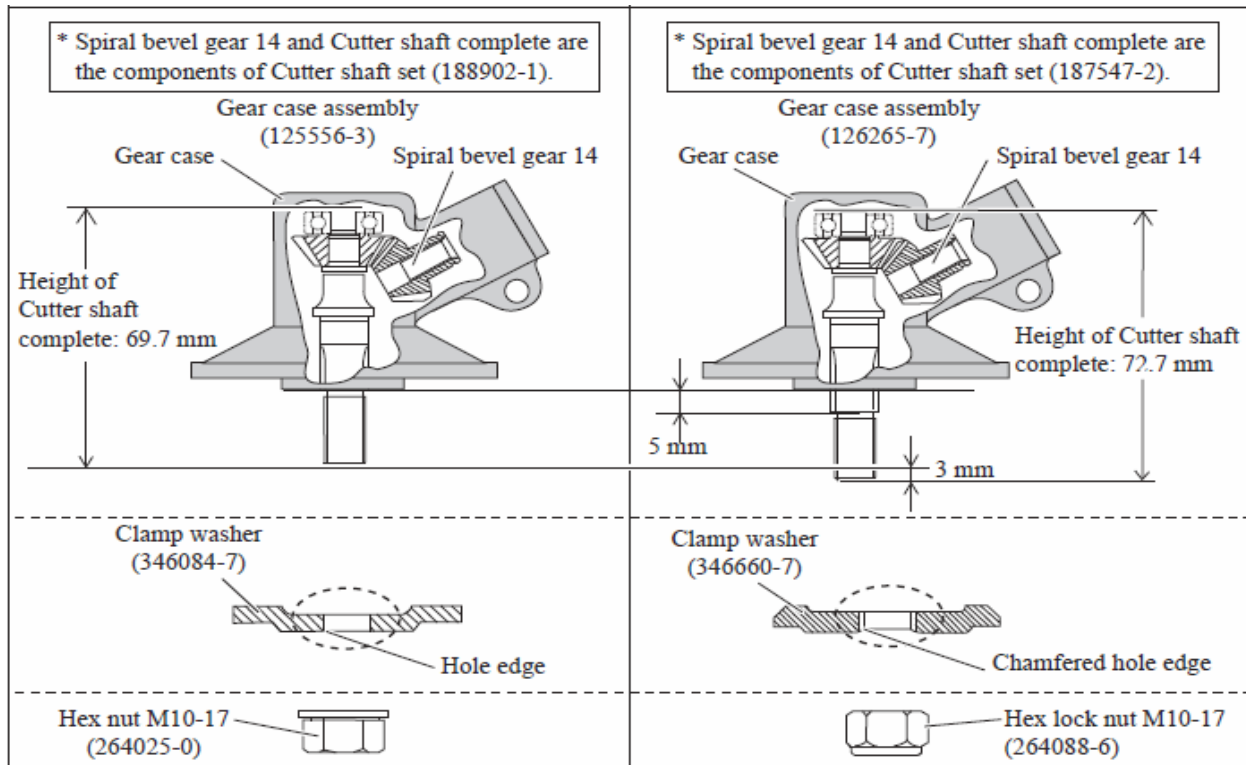
Item No.	Description	Type 1	Type 2
72	Clutch drum	168475-0	168809-7



3. Changes on Gear Case Assembly

Item No.	Description	Type 1	Type 2
37	Gear Case Assembly	125556-3	126265-7
46	Cutter Shaft Set	188902-1	187547-2
52	Clamp Washer	346084-7	346660-7
54	Hex Nut M10-17 >Hex Lock Nut M10-17	264025-0	264088-6

(T/I# 97725)

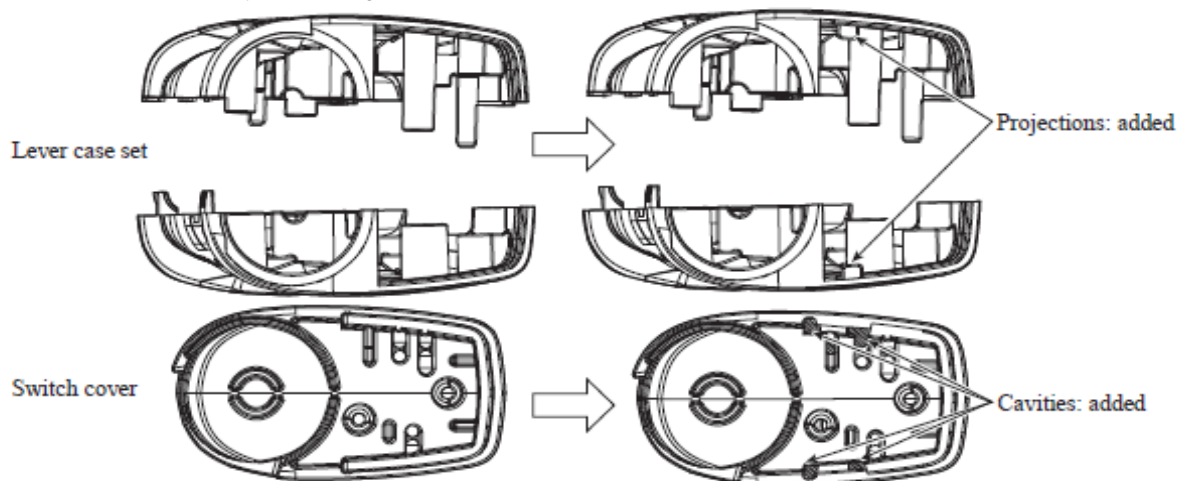


4. Changes on Gear Case Assembly

Item No.	Description	Type 1	Type 2
3	Lever Case Set	188656-0	183A10-9
12	Switch Cover	451085-3	455722-1

Above parts are completely interchangeable as a set.

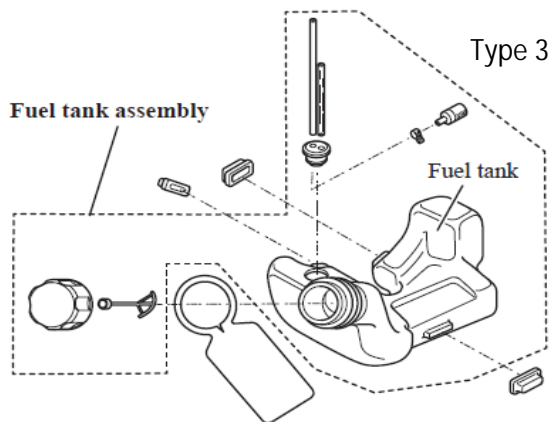
(T/# A5657)



5. Changes on Fuel Tank

(TI#A7689)

Item No.	Description	Type 2	Type 3
148	Fuel Tank >> Fuel Tank Assembly	454004-8	123417-1
Inc.		-----	Item No. 141, 149-151



6. Changes on Ignition coil, Lead unit

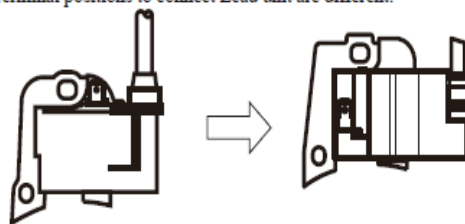
(TI#B1493)

Item No.	Description	Type 1	Type 2
132	Ignition Coil	168501-5	168816-0
218	Lead Wire	638664-6	632E38-3
219	Lead Wire	638665-4	632E39-1

Above parts are completely interchangeable as a set.

Implementation from serial No. 156474Y (February 2016)

*Ignition coil: Terminal positions to connect Lead unit are different.



*Lead wire: One of Terminal has been changed from Flag type to straight type.



7. Changes on related parts for Elimination of Protector cover

(TI#B2856)

Item No.	Description	Type 1	Type 2
36	H.S.H.Bolt M5X14 With WR >H.S.H.Bolt M5X10	922218-2	922206-9
56	Protector Cover	451097-6	-----
57	Hex Socket Head Bolt M6X30 > M6X25	266579-3	266280-0
58	Protector Clamp > Protector Clamp 24	346073-2	347012-5
Above parts are completely interchangeable as a set.			
A13	Protector extension Assy	135398-7	135753-3

